

## GHG-TLS Torque Piano Hinge

### Features

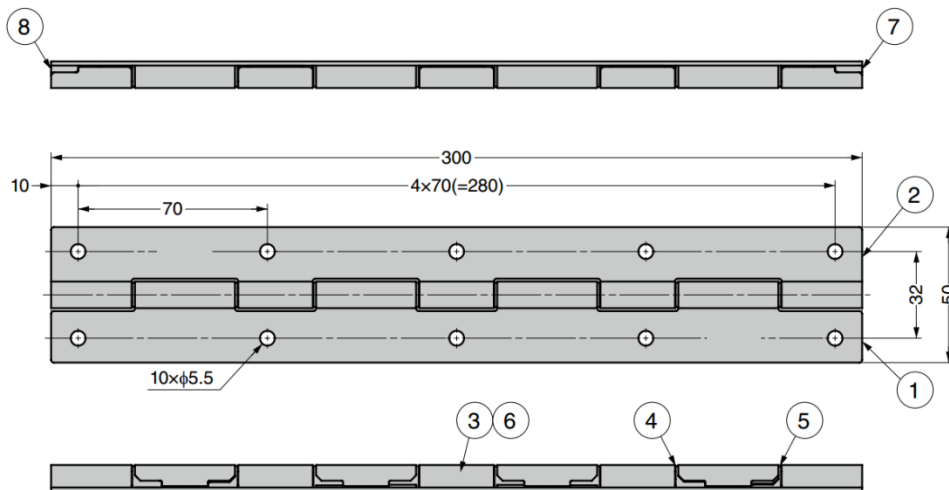
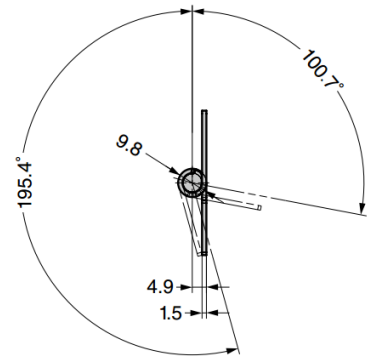
- Hinge with friction torque holds lid / door in desired position
- Long type piano hinge
- Other lengths also available on request

### Notes

- When using multiple hinges, ensure that both hinge shafts are levelled and aligned
- Ensure hinge is not cut for usage



For opening/closing of cash machine maintenance door



No.	Part Name	Material
①	Hinge A	Stainless Steel (SUS304)
②	Hinge B	
③	Shaft	
④	Plug L	POM
⑤	Plug R	
⑥	Collar	PA
⑦	Holder L	
⑧	Holder R	

Part No.	Torque (per piece)	
GHG-TLS30-50-300	3 N.m	29 kgf.cm